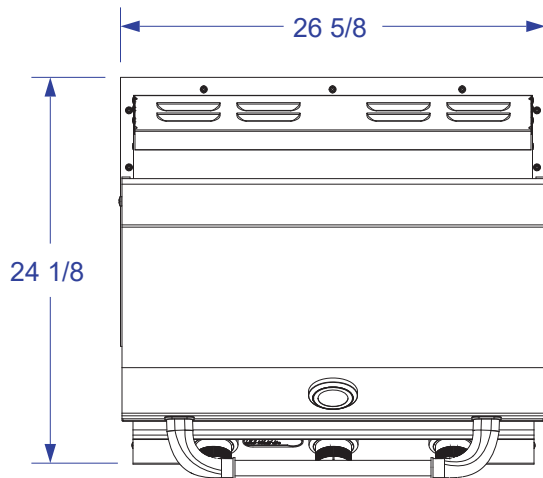
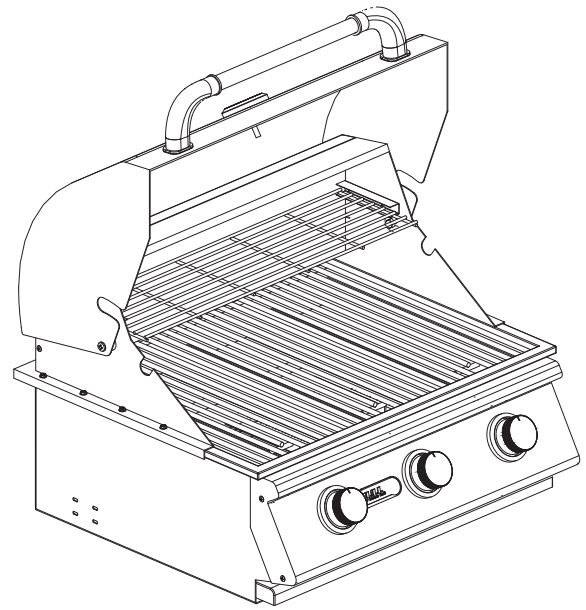




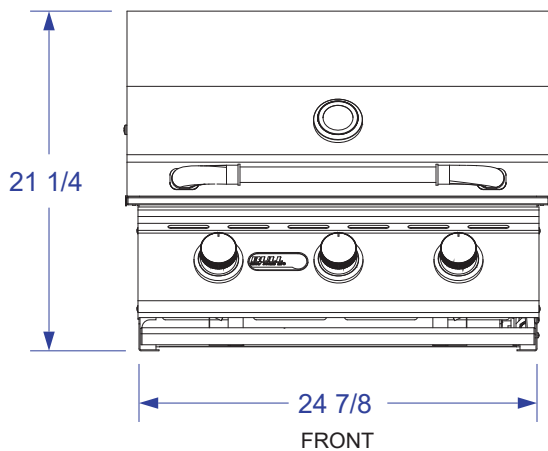
STEER PREMIUM GRILL SPEC SHEET

ITEM# 69008 LP

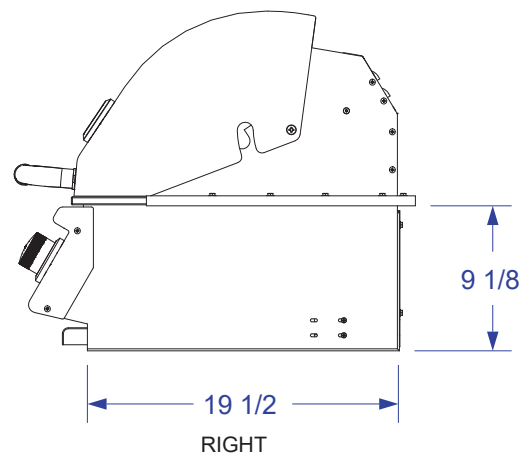
ITEM# 69009 NG



TOP



FRONT



RIGHT

NOTES:

1. CUTOUT DIMENSIONS: 25 3/4"W X 20 1/2"D X 9 1/2"H
2. ISLAND MUST BE CONSTRUCTED OF NON-COMBUSTIBLE MATERIAL.
3. SCALE: 1" = 1'-0"